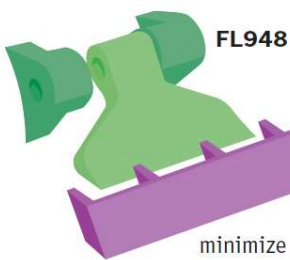


The wedge shape of the OMF's low housing profile **1** sweeps branches up away from the mouth of the flail for low impact passage beneath high density plantings. The shape of the steel plate housing— actually two formed 3/16" plate layers, strengthens the shell structure.

The OMF uses a dual purpose mowing/shredding blade, the CROP-CHOP Hammer **2**. The hammer, designed by Rears, is custom cast in the US and through hardened for long edge life. The fan shape of the hammer provides an extra wide cutting surface and creates a vacuum within the housing, lifting cuttings into the blade path.



48" 100 series OMF, fixed center mount



FL948

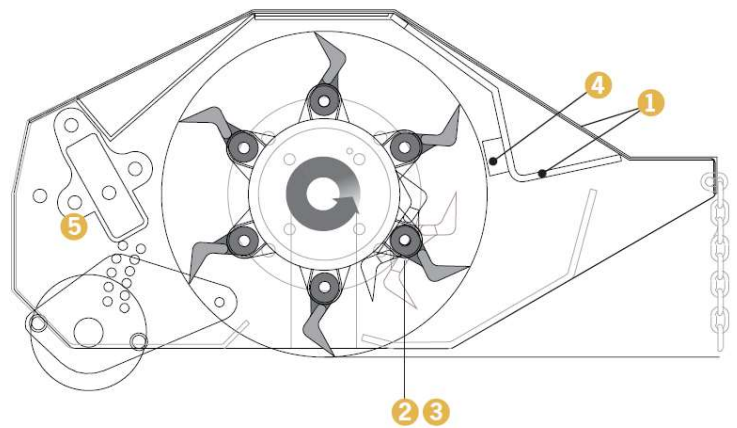
Hammers are hung close to the mandrel surface from 3/4" thick rotor pads **3** and mounted in a spiral pattern around the rotor to minimize horsepower consumption— a design most dramatically appreciated when devouring heavy loads. The blade swings on a 5/8" Grade 9 bolt.

The flail housing is lined with a row of shear teeth **4**. At operating speed, each hammer crosses the teeth 40 times a second, gnashing any material caught between.



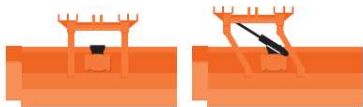
FL930

An OMF rotor can be dual balanced to accommodate hammers or shredding knives. Rears shredding knives are formed alloy steel: heat treated, hard surfaced, and reversible for long edge life.

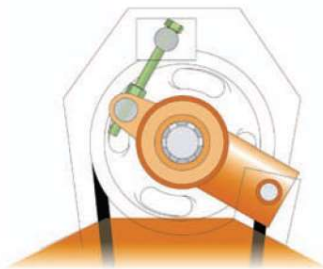


The discharge of the OMF can be sealed by a three-position recycling door **5**. With the door completely closed in heavy cuttings, wood chips are trapped in the blade path and pulverised until small enough to settle beneath the roller. When mowing, the recycling door is opened to lay an even carpet of cuttings behind the flail.

A 3-point pantograph, hydraulic actuated or manual, is available for the 100 series OMF. With the pantograph, move easily between plantings— set the offset to get the most from each pass. The standard 100 series OMF is configured with a fixed mount, centered behind the tractor's PTO shaft. Fixed offsets are also available.



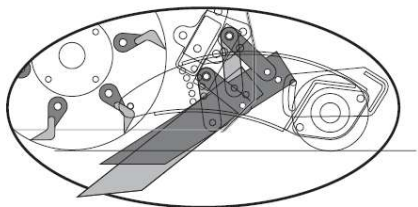
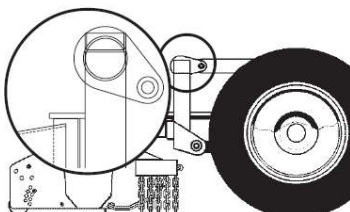
Above, from left: standard OMF configuration with low profile belt housing; OMF with hydraulic offset.



Quick draw drive belt tensioning.

Our simple jackshaft tensioning system, above, pulls drive belts to their proper tension quickly— tighten one nut to draw belts to proper tension.

A rotating top link pad connects to your tractor's 3-point top link, allowing the OMF to float over terrain contours.



Floating rakes are available to comb uneven ground and lift prunings into the blade path.



**17-1/8" flail housing height
21" belt housing height**

Cut width	42, 48, 66, 72, 78, 84 inches -custom widths available
Overall width	6" over cut width
3-point	Category I, II
PTO speed	540 RPM
Power required	15-60HP: determined by speed, terrain, biomass, and machine width
Rotor mandrel	1-15/16" rotor shaft, 6" dia. mandrel
Knife tip speed	10,154 FPM
Mandrel speed	2370 RPM
Weight, std. unit	4' unit: 1100 lbs other units: +/- 110 lbs/ft + blades
Blades	FL930 knife, FL948 hammer
Cut height	Gauge roller: 0 to 4-1/2"
Gauge roller	1-3/4" shaft, 6-5/8" dia. roller



George F. Ackerman Company, Inc.
PO Box 157/300 Mill Street
Curtice, OH 43412
Phone: 419-836-7735
Fax: 419-836-2040
Email: info@ackermantoledo.com

1 800 547 8925
 rears manufacturing company. eugene. oregon.

